

Adding Green Energy to Life, Value to the World



BC100-25

Generate Your Own Energy
Reduce Costs and Increase Productivity



BC100-25, with a rated power of 100 kW and a rotor diameter of 22 meters, delivers an impressive energy yield. Its design ensures long-term advantages with minimal operational costs throughout its entire lifespan.

► The turbine is engineered to achieve high power output while maintaining low noise levels, and it begins generating electricity at wind speeds as low as 3 meters per second.

Key Benefits

► Proven and Efficient

Our Permanent Magnet Generator (PMG) technology optimizes energy capture, outperforming traditional geared turbines, and significantly reduces maintenance expenses by eliminating costly repairs.

► Tailored for Low to Medium Wind Conditions

BC100-25 is specifically engineered for sites with low to medium wind speeds, performing optimally in areas where the average annual wind speed ranges between 5 and 7.5 m/s.

► Highly Reliable

Reinforced blades and compliance with the stringent IEC 61400-1 design standards ensure exceptional reliability, allowing the turbine to endure extreme weather, including hurricane-force winds.

► Grid Connection

An integrated grid interface cabinet facilitates a seamless connection to the low-voltage grid.

2 Year Warranty

Our warranty covers the turbine for up to 2 years, with service plans that can extend up to 20 years. A variety of service packages are available to accommodate different customer requirements.



SPECIFICATIONS

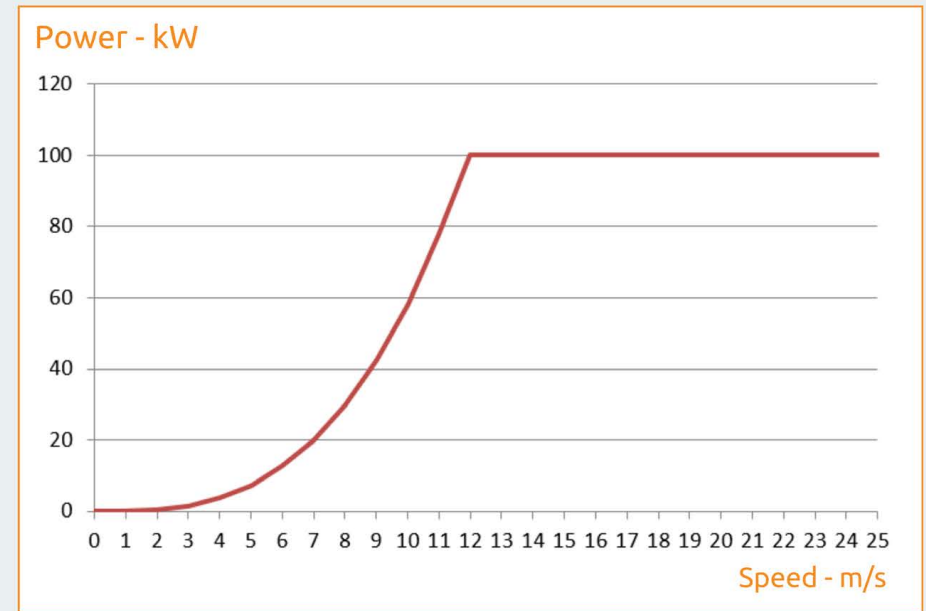
BC100 KW

On Grid System

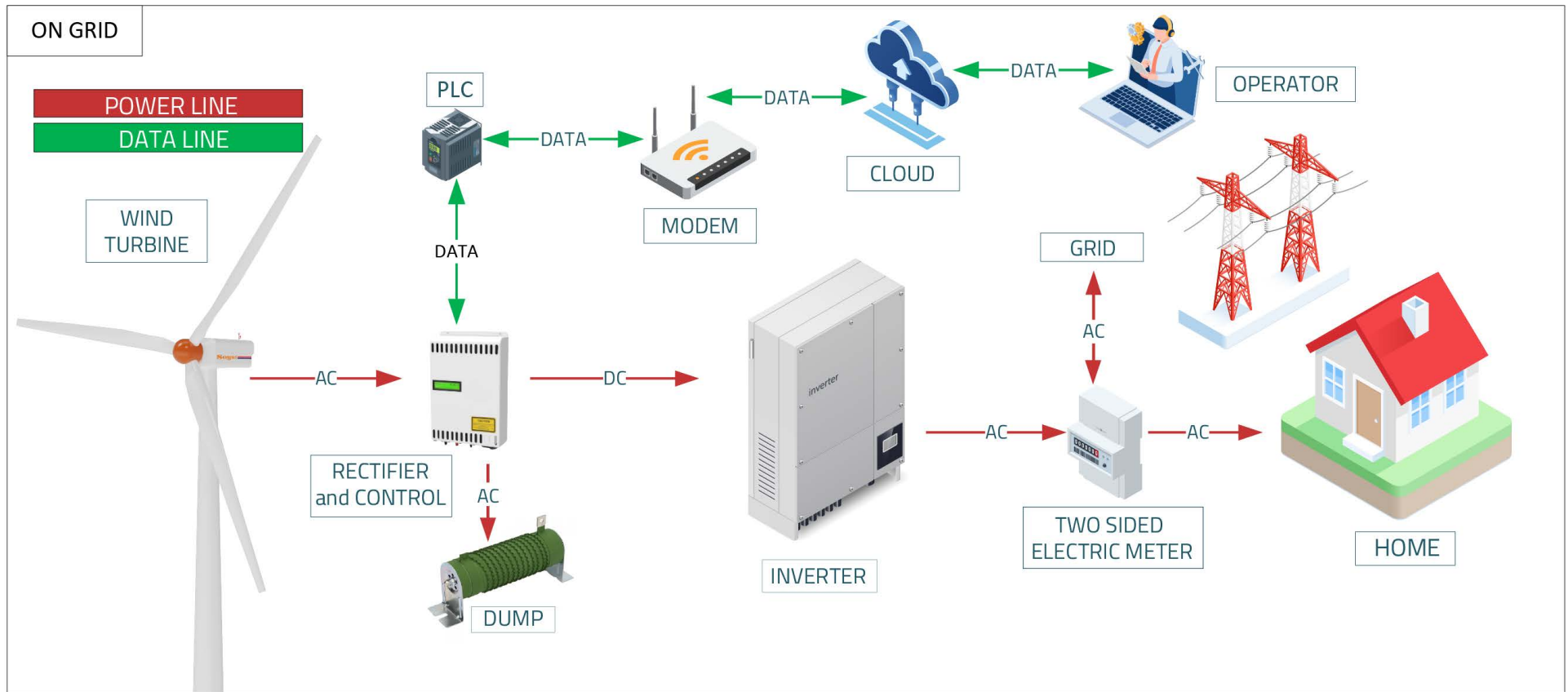
Rated Wind Speed	12 m/s
Cut-in Wind Speed	3 m/s
Cut-out Wind Speed	25 m/s
Rotor Diameter	22 m
Swept Area	378 m ²
Tower Height	25 m - 30 m
Operating Temperature	-30 °C – + 50 C °
Blade Type	Fiberglass Composite
Tower Type	Tubular Steel / Steel Lattice
Yaw System	Electric
Pitch Control	Yes
Control System	PLC
Brake	Electromagnetic / Hydraulic
Alternator	Synchronous / Asynchronous / 3 Phase (PMG)
Voltage	220/400 VAC - 50/60 Hz
Wind Speed Sensor	Yes
Temperature Sensor	Yes
Remote Control and Monitoring	Yes
Lightning Protection	Yes

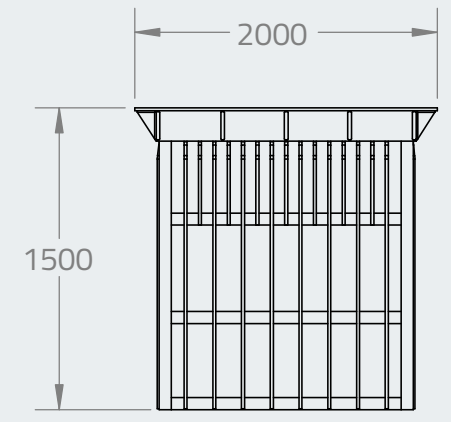
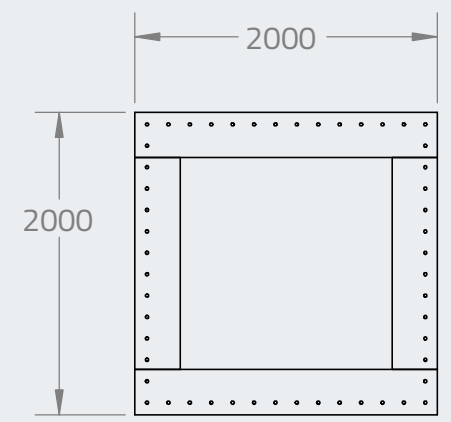
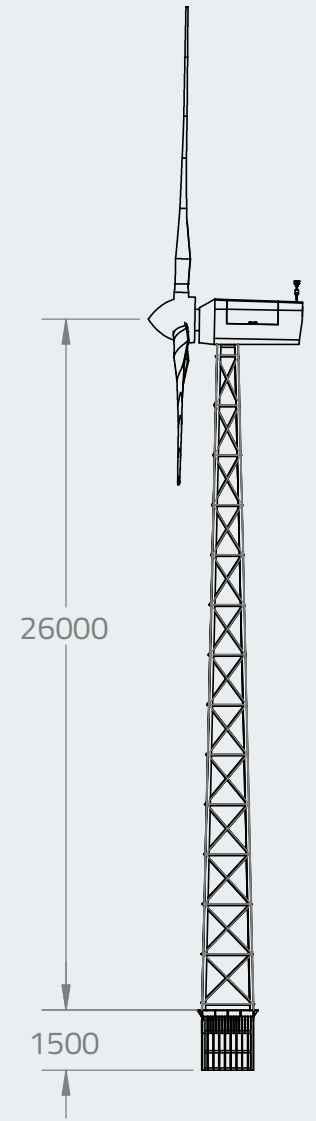
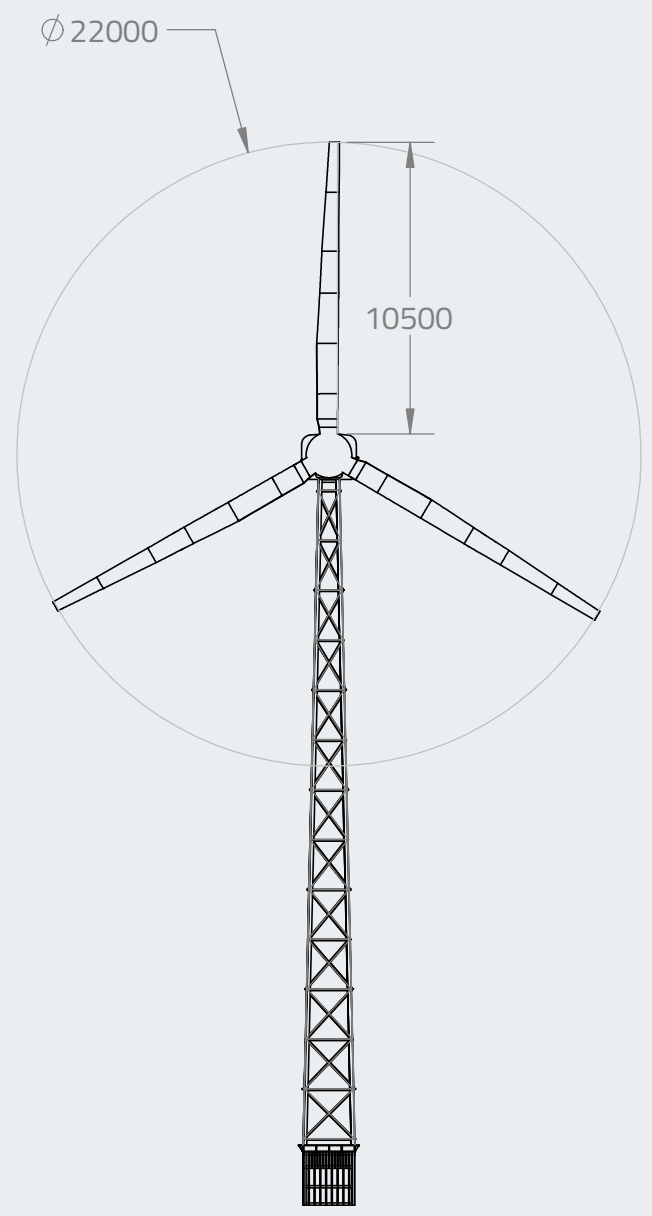


BC 100 KW Power Curve



Wind Speed (m/s)	0	1	2	3	4	5	6
Power (kW)	0	0.1	0.5	2	4	7	13
	7	8	9	10	11	12	13
	20	30	42	58	77	100	100





FOUNDATION ANCHORAGE

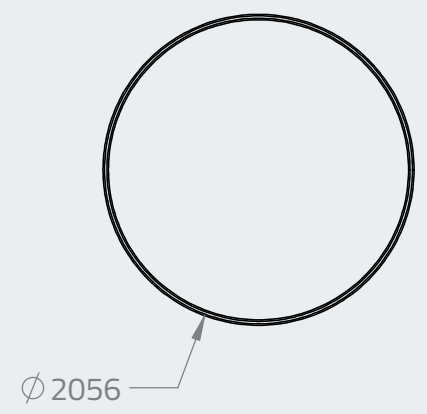
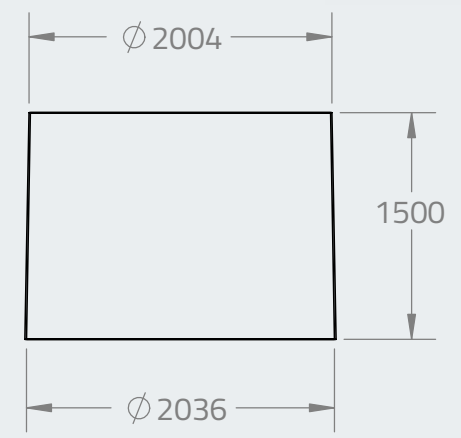
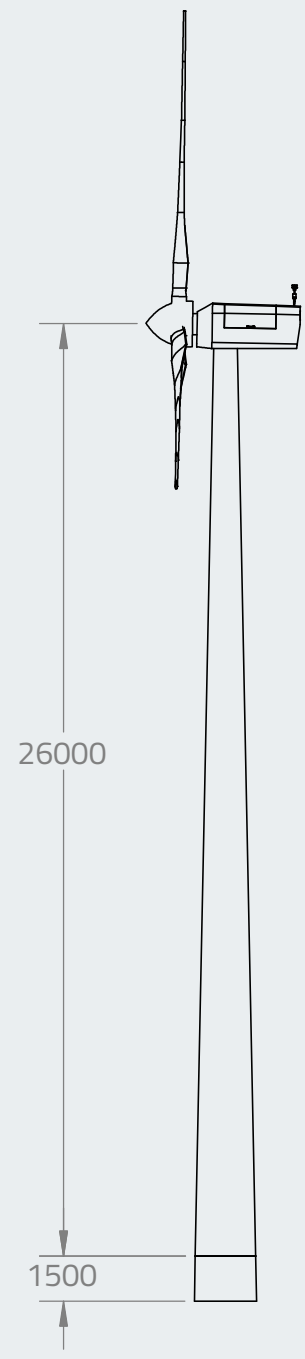
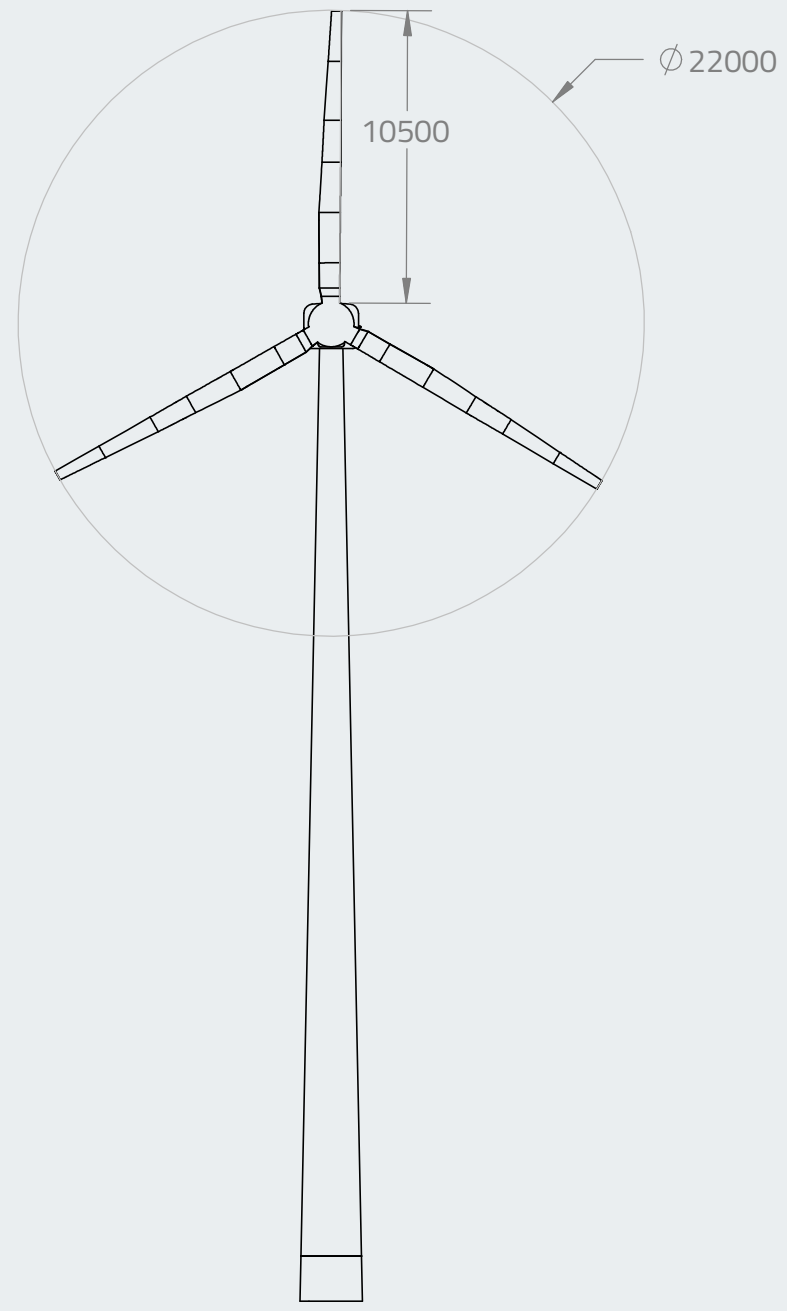
100 KW BC TURBINE
LATTICE TOWER

1 2 3 4 5 6



A
B
C
D

A
B
C



FOUNDATION RING
100 KW BC TURBINE
TUBULAR TOWER

1 2





soyutWind

► B&C GmbH
Florastraße 24, 40667 Meerbusch
Germany

Exclusive sales representative
www.bc-wind-turbine.de

M:+49 178 525 06 10
T :+49 2132 692 69 09

► Factory:
Cumhuriyet Mahallesi Eskişehir Yolu 55. km
No:24 Temelli, Sincan Ankara-TURKIYE

[in/company/soyutwind](https://www.linkedin.com/company/soyutwind)

[X/SoyutWind/](https://twitter.com/SoyutWind/)

+90 850 420 44 44

[ig/soyutwind/](https://www.instagram.com/soyutwind/)

[f/SoyutWind/](https://www.facebook.com/SoyutWind/)

soyutwind.com

SoyutWind is a subsidiary of ÇOLAK Holding A.Ş.

